

# HAYWARD PRO GRID D.E. SEPARATION TANK

MODEL C9002SEP

## OPERATION

NOTE: BE SURE THE LOCKING KNOB AND DRAIN PLUG ARE SECURELY TIGHTENED.

1. Stop the pump and set the filter control valve to the backwash position.
2. Open the by-pass valve (if equipped) and manual air relief valve and start the pump. Close the air relief valve after all the air is evacuated.
3. Backwash the filter for approximately 2 minutes (or until water in optional sight glass is clear).
4. Stop the pump, set the filter control valve to the filter position and close the by-pass valve (if equipped).

## CLEANING

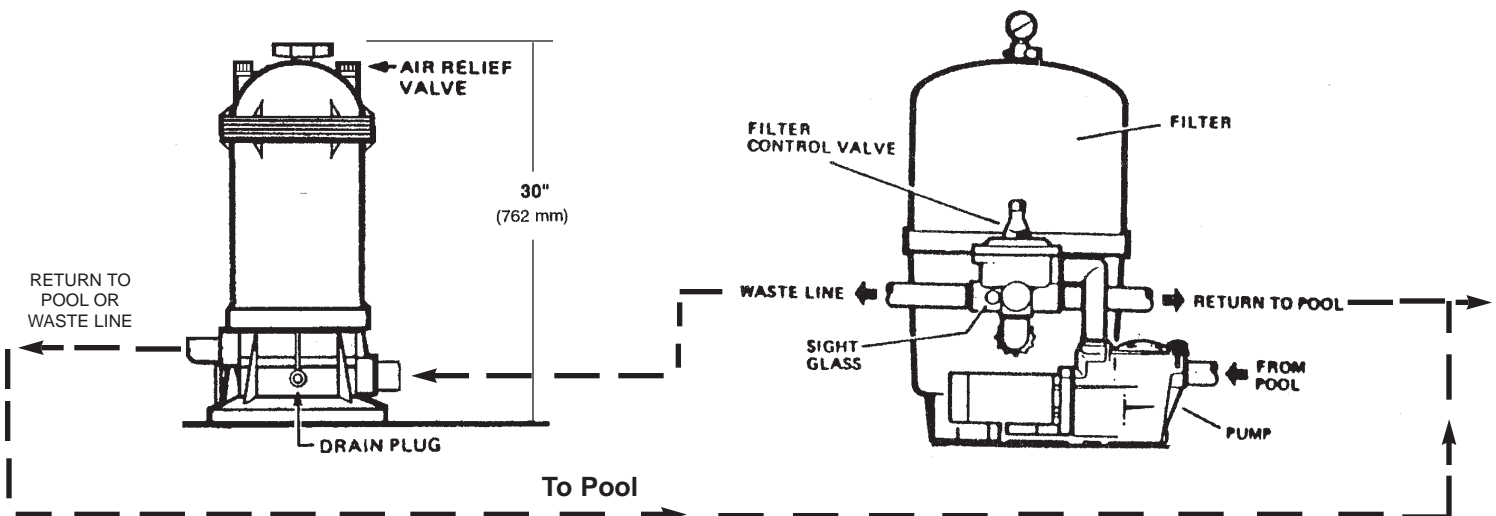
Clean separation tank bag after each filter backwash.

### WARNING:

**THIS SYSTEM OPERATES UNDER PRESSURE. BEFORE REMOVING TOP COVER, BE SURE PUMP IS OFF AND AIR RELIEF VALVE IS OPEN TO RELEASE ALL INTERNAL PRESSURE. ALWAYS MAKE SURE TOP COVER LOCKING KNOB IS SECURELY TIGHTENED BEFORE TURNING ON PUMP. PERSONAL INJURY OR PROPERTY DAMAGE COULD OCCUR.**

1. Remove the drain plug, open the air relief valve and allow the water to drain from the separation tank.
2. Unscrew locking knob (counter clockwise direction).
3. Carefully lift off top cover to gain access to bag.
4. Lift out bag and properly dispose of accumulated dirty D.E. into a waste container. Rinse bag.
5. Carefully re-install bag in separation tank assuring that the bag assembly sits securely on the collector hub in the bottom of the separation tank body.
6. Rinse off cover and O-ring to insure a reliable sealing surface. Place cover on separation tank body.
7. Tighten locking knob in clockwise direction (hand tight only).
8. Install and tighten drain plug and close air relief valve.

## TYPICAL INSTALLATION





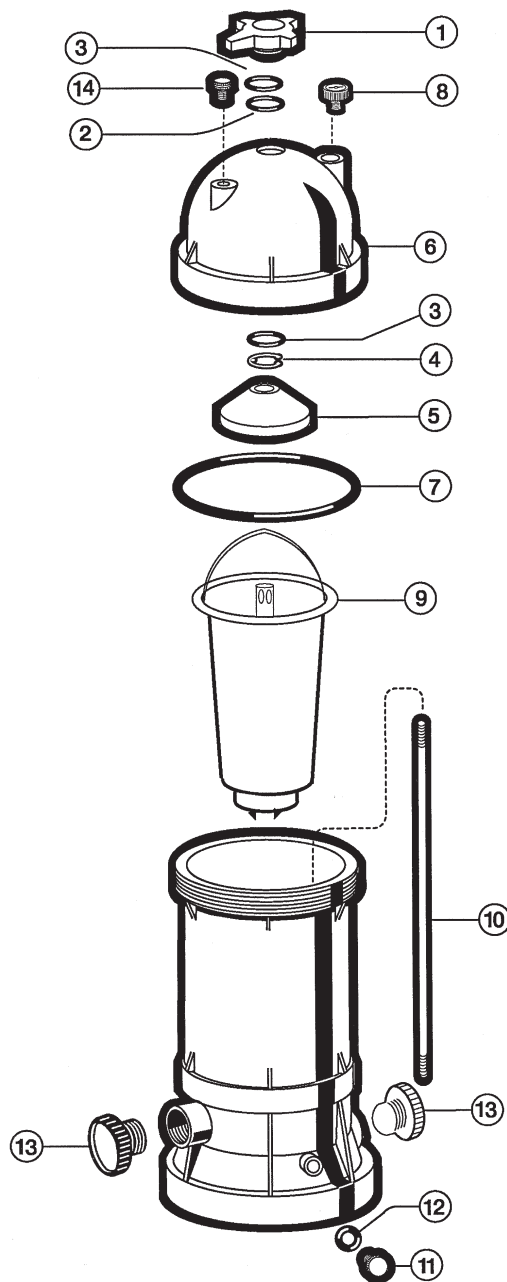
# HAYWARD PRO GRID D.E. SEPARATION TANK

## Pro-Grid D.E. Separation Tank Specifications

Max. Working Pressure		Required Clearance			
		Side		Above	
PSI	BAR	IN	MM	IN	MM
50	3.45	18	457	25	635

### PARTS Model C9002SEP

REF. NO.	PART NO.	DESCRIPTION	NO. REQ'D.
1	CX900G	Locking Knob	1
2	CX900H	O-Ring	1
3	CX900W	Washer	2
4	CX900J	E-Ring	1
5	CX900D	Guide Cone	1
6	CX900B	Tank Cover w/Directional Vent Valve (Air Relief Valve)	1
7	C900F	Tank Cover O-Ring	1
8	SPX0710K	Pipe Plug	1
9	CX900DB	DE Bag Assembly	1
10	CX800Z2	Tie Rod	1
11	CX250Z14	1/2" Drain Plug	1
12	SPX605Z2	Drain Plug O-Ring	1
13	CX900K	2" PVC Socket Connector, set of 2	2
14	ECX1322A	Directional Vent Valve w/O-Ring (Air Relief Valve)	1



## HAYWARD POOL PRODUCTS, INC.

Hayward Pool Products, Inc.  
900 Fairmount Avenue  
Elizabeth, NJ 07207

Hayward Pool Products, Inc.  
2875 Pomona Boulevard  
Pomona, CA 91768

Hayward Pool Products Canada  
2880 Plymouth Drive  
Oakville, Ontario L6H 5R4

Hayward Pool Products Europe  
ZA de l'Observatoire  
2, Avenue des Chaumes  
78182 St. Quentin en Yvelines Cedex  
France