



RSD Series Rain Sensor

“Dial into the Convenience and Value”

The Rain Bird RSD Series Rain Sensor is an easy to install, durable and visually pleasing rain sensor device suitable for 24 VAC residential and commercial applications. This high-quality product saves water and extends irrigation system life by automatically measuring precipitation and preventing irrigation systems from watering in rainy conditions.

Features & Benefits

- Automatic rain shutoff prevents overwatering due to natural precipitation
- Robust, reliable design reduces service call backs
- Moisture sensing disks work in a variety of climates
- Different sensor mounts permit speed and flexibility on the job site

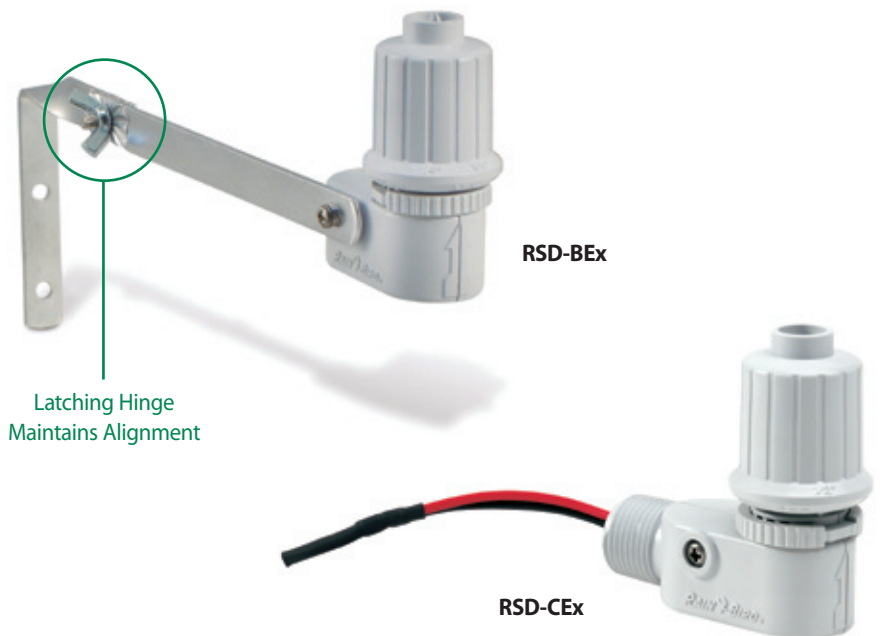
Models

- RSD-BEx (rain sensor w/ latching bracket, extension wire)
- RSD-CEx (rain sensor w/ threaded adapter, extension wire)

Electrical Specifications

- Application: Suitable for low voltage 24 VAC control circuits and 24 VAC pump start relay circuits*
- Switch electrical rating: 3A @ 125/250 VAC
- Capacity: Electrical rating suitable for use with up to ten 24 VAC, 7 VA solenoid valves per station, plus one master valve
- Wire: 25' (7,6 m) length of #20, 2 conductor UV resistant extension wire
- UL, cUL listed; CE, C-Tick approved

*Not recommended for use with high voltage pump start, pump start relay circuits or devices.



Mechanical Properties

- Multiple Rainfall Settings from 1/8" - 3/4" (5 - 20 mm) are quick and easy with just the twist of a dial
- Adjustable vent ring helps control drying time
- High-grade, UV resistant polymer body resists the elements
- Available in rugged bracket version (RSD-BEx model comes with 5" latching aluminum bracket) or conduit version (RSD-CEx) for a clean and professional look.

Dimensions

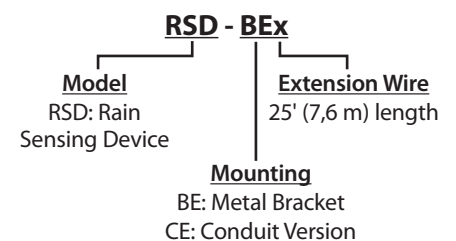
RSD-BEx

- Overall Length: 6.5" (16.5 cm)
- Overall Height: 5.4" (13.7 cm)
- Bracket Hole Pattern: 1.25" (3.2 cm)

RSD-CEx

- Overall Length: 3" (7.6 cm)
- Overall Height: 2.75" (7 cm)

How to Specify/Order



Specifications

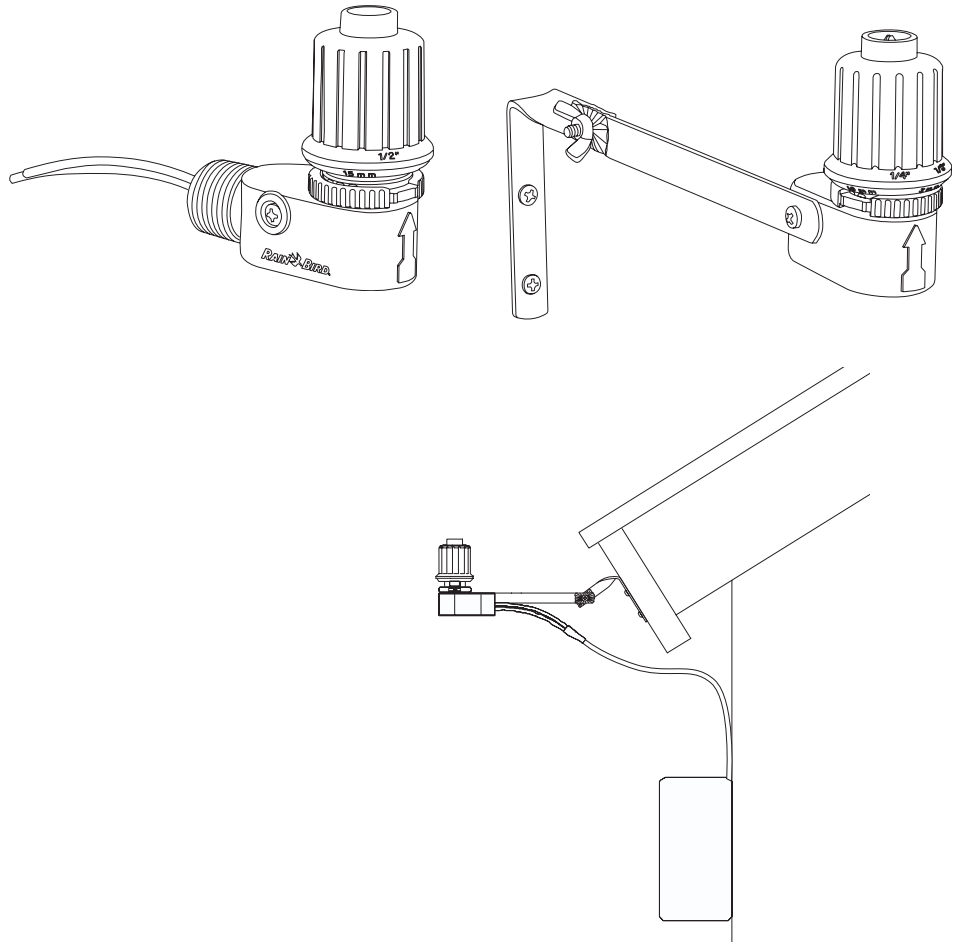
The rain sensor shall employ an electro-mechanical actuating device designed to cause a circuit interrupt that temporarily disables the irrigation controller during periods of significant rainfall. The device shall automatically restore the controller to a normal operating condition after a period of time subsequent to the rainfall. The device shall be suitable to be wired to a normally closed (N.C.) controller sensor port or in series with the valve common.

The device shall be of rugged construction to withstand the elements, including exposure to sunlight.

The device shall include a U.L. listed, 3A @ 125/250 VAC rated electrical switch. The device shall be of sufficient capacity to be used with a maximum of three 24 VAC, 7 VA solenoid valves per station, plus one master valve.

The rain sensor shall incorporate a provision that allows the installer to select from several rainfall settings. The setting increments shall be displayed in both English and metric units. The device shall include a vent ring to help control drying time of the mechanical components.

The Rain Bird RSD Series Rain Sensor shall be manufactured by Rain Bird Corporation, Glendora, California .



Rain Bird Corporation
6991 E. Southpoint Road
Tucson, AZ 85706
Phone: (520) 741-6100
Fax: (520) 741-6522

Rain Bird Technical Services
(800) RAINBIRD (U.S. and Canada)

Rain Bird Corporation
970 West Sierra Madre Avenue
Azusa, CA 91702
Phone: (626) 812-3400
Fax: (626) 812-3411

Specification Hotline
800-458-3005 (U.S. and Canada)

Rain Bird International, Inc.
P.O. Box 37
Glendora, CA 91740-0037
Phone: (626) 963-9311
Fax: (626) 852-7343

www.rainbird.com

The Intelligent Use of Water™ -- Visit www.rainbird.com to learn about our efforts

© Registered Trademark of Rain Bird Corporation
© 2012 Rain Bird Corporation 1/12

D39402F